

FEKA 2500 - 2700

SUBMERSIBLE PUMPS



TECHNICAL DATA

Impeller type: Vortex

Solid handling: 62mm

Nominal power: 0.6 ÷ 2.2 kW

Outlet: DN 50

Performance range: from 3 to 48 m³/h with 16.5 meters head.

Fluid: wastewater and sewage from buildings and sites in private, commercial, industrial areas.

Fluid PH: 6 ÷ 11

Fluid temperature range: from 0° to +40°C. For higher temperature please contact our sale offices.

Max installation depth: 20mt (with a proper cable length).

Type of installation: fixed by Coupling Unit, portable in vertical position.

Equipped with: Flange UNI 1092 PN6.

APPLICATIONS

Submersible electric pump for civil and industrial waste water compatible with the pump materials. Suitable for lifting sewage water, meteoric water, or dirty water in general, containing solid non-filamentous matter with diameter up to 62 mm.

CONSTRUCTION FEATURES OF THE PUMP

Cover, motor casing, pump body and impeller made of cast iron ENGJL 200.

Single mechanical seal pump side Carbon Graphite / Alumina, leap seal in oil chamber motor side.

CONSTRUCTION FEATURES OF THE MOTOR

Dry, asynchronous and waterproof motor, cooled by the surrounding liquid.

Continuous S1 duty with completely submerged pump.

Rotor mounted on permanently lubricated ball bearings, oversized to ensure long-term reliability and extended lifetime.

Water infiltration sensor in oil chamber, capable of indicating water infiltrations through the mechanical seal (optional).

For single-phase versions, the capacitor is fit in an external panel with cable plug Schuko, equipped with manual resettable overcurrent protection and float for automatic versions.

For the three-phase versions thermal protection is required as optional.

Max starts/hour: 20

Insulation class: F

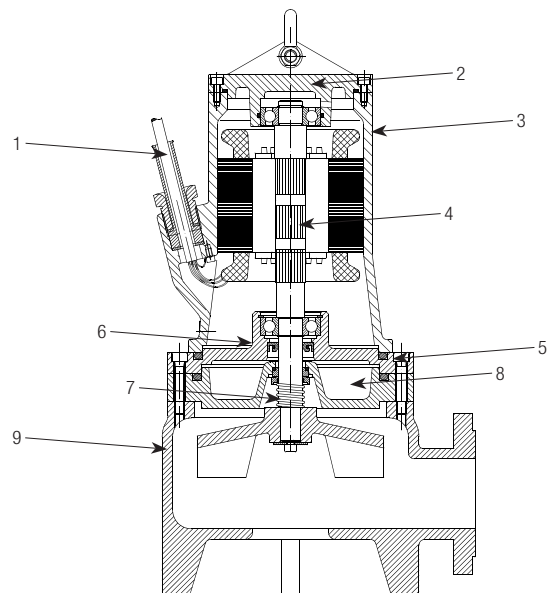
Number of poles: 2

Standard voltage: 1x230V~; 3x400V~. For other models contact our commercial department.

Motor protection class: IP 68

MATERIALS

N°	PARTS	MATERIALS
1	POWER INPUT CABLE	H07RN-F
2	UPPER COVER	EN GJL 200 CAST IRON
3	MOTOR BODY	EN GJL 200 CAST IRON
4	MOTOR SHAFT	AISI 420
5	OR	NBR
6	BEARING FLANGE	EN GJL 200 CAST IRON
7	MECHANICAL SEAL	PUMP: SIC - SIC
7	RADIAL RING SEAL	NBR
8	IMPELLER	EN GJL 200 CAST IRON
9	HYDRAULIC BODY	EN GJL 200 CAST IRON



FEKA RANGE

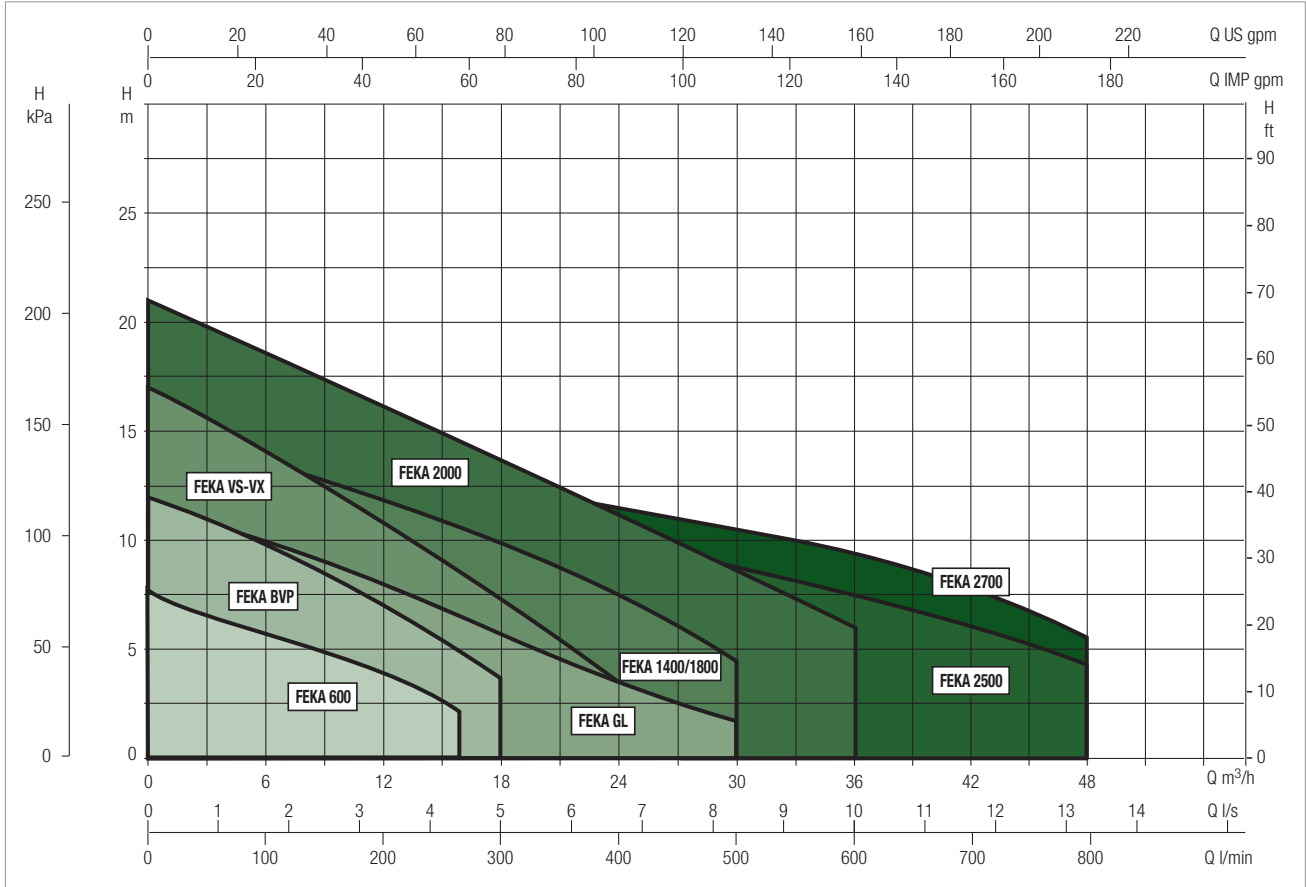
SUBMERSIBLE PUMPS

SUBMERSIBLE PUMPS

PERFORMANCE RANGE

The performance curves are based on kinematic viscosity values = 1 mm²/s and density equal to 1000 kg/m³. Curve tolerance according to ISO 9906.

GRAPHIC SELECTION TABLE

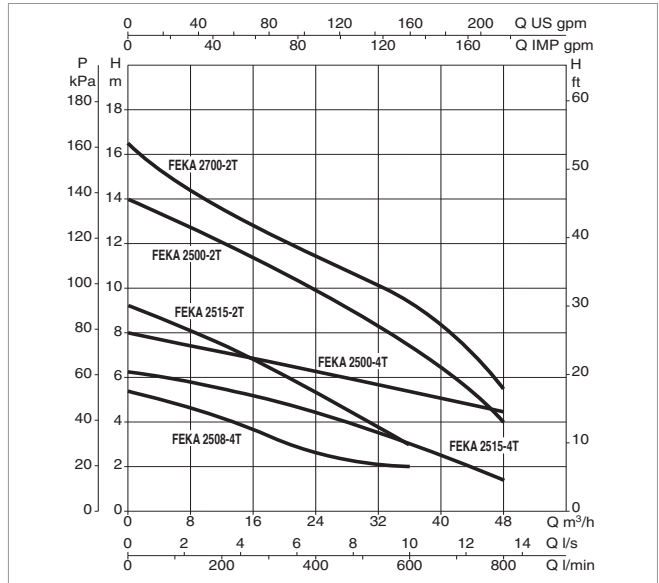
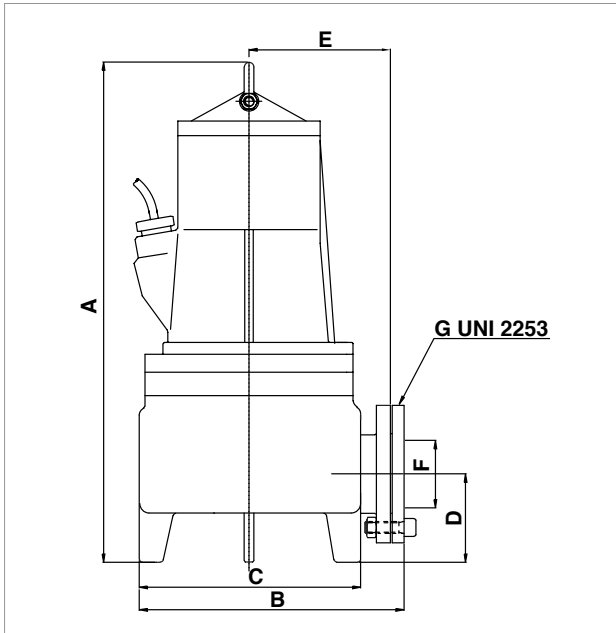


SELECTION TABLE - FEKA 2500-2700

MODEL	Q=m ³ /h	0	3	6	12	18	24	36	48
	Q=l/min	0	50	100	200	300	400	600	800
FEKA 2508.4M-NA	H (m)	5,4	5,1	4,8	4,1	3,4	2,6	1	
FEKA 2508.4T		5,4	5,1	4,8	4,1	3,4	2,6	1	
FEKA 2515.4T		6,2	6,1	5,9	5,5	5,0	4,5	3,1	1,4
FEKA 2500.4T		8	7,8	7,6	7,2	6,7	6,3	5,4	4,4
FEKA 2515.2T		9,3	8,8	8,4	7,6	6,5	5,3	3	
FEKA 2500.2T		14	13,5	13	12	11	10	7,5	4
FEKA 2700.2T		16,5	15,5	14,8	13,6	12,5	11,4	9	5,5

FEKA 2500 - 2700 - SUBMERSIBLE PUMPS FOR LIFTING WASTE WATER

Liquid temperature range: da 0°C a +40°C



The performance curves are based on kinematic viscosity values = 1 mm²/s and density equal to 1000 kg/m³. Curve tolerance according to ISO 9906.

MODEL	ELECTRICAL DATA									
	POWER INPUT 50 Hz	P1 MAX kW	P2 NOMINAL		In A	CAPACITOR		rpm n. 1/min.	STARTING	CABLE
			kW	HP		µF	Vc			
FEKA 2508.4M-NA	1X230 V~	0,9	0,6	0,8	4,6	20	450	1450	DOL	10mt 4G1,5
FEKA 2508.4T	3X400 V~	0,8	0,6	0,8	1,5	-	-	1450	DOL	10mt 4G1,5
FEKA 2515.4T	3X400 V~	1,2	1,1	1,5	3,3	-	-	1450	DOL	10mt 4G1,5
FEKA 2500.4T	3X400 V~	2,8	1,4	1,9	4,9	-	-	1450	DOL	10mt 4G1,5
FEKA 2515.2T	3X400 V~	1,9	1,1	1,5	3,3	-	-	2900	DOL	10mt 4G1,5
FEKA 2500.2T	3X400 V~	2,8	1,8	2,4	4,7	-	-	2900	DOL	10mt 4G1,5
FEKA 2700.2T	3X400 V~	3	2,18	2,9	5,7	-	-	2900	DOL	10mt 4G1,5

MODEL	A	B	C	D	E	F	G Ø	PACKING DIMENSIONS			WEIGHT kg
								L/A	L/B	H	
FEKA 2508.4M-NA	515	260	217	90	145	62	2" ½	680	330	400	40
FEKA 2508.4T	515	260	217	90	145	62	2" ½	680	330	400	40
FEKA 2515.4T	515	260	217	90	145	62	2" ½	680	330	400	41
FEKA 2500.4T	515	260	217	90	145	62	2" ½	680	330	400	45
FEKA 2515.2T	515	260	217	90	145	62	2" ½	680	330	400	41
FEKA 2500.2T	515	260	217	90	145	62	2" ½	680	330	400	40
FEKA 2700.2T	515	260	217	90	145	62	2" ½	680	330	400	47